

# S02711

## INSTALLATION INSTRUCTIONS SHEET

### START FROM HERE

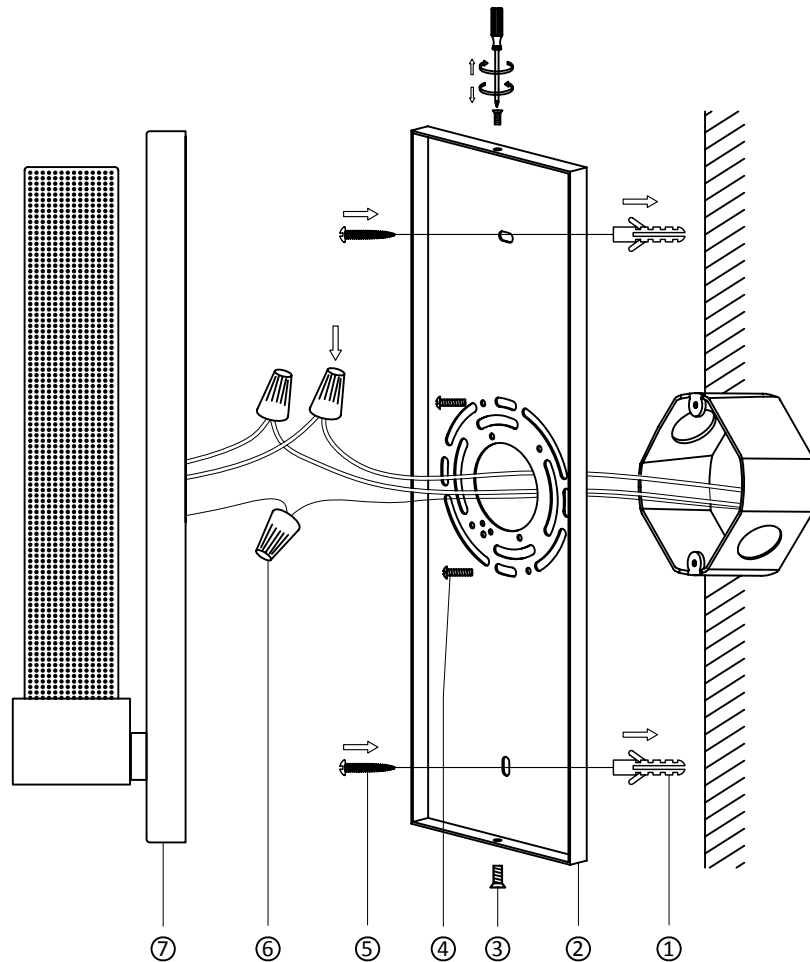
- Make sure power is completely off at the fuse box.
- Have your fixture installed by a qualified licensed electrician
- Prepare everything in clear area.
- Wear gloves at all times during this installation.
- Read instructions carefully before you start assembly.
- Keep this instruction sheet for future reference.

**Technical Support:** 1-844-628-8368

### Please Note:

- All Matteo Lighting fixtures come with pre-wired module(s).
- Unless instructed to do so, please do not touch any part of the module(s) as any unnecessary contact with the module could cause permanent damage.

THIS LUMINAIRE MUST BE MOUNTED OR SUPPORTED IN A JUNCTION BOX  
*CE LUMINAIRE DOIT ÊTRE MONTÉ OU SUPPORTÉ DANS UNE BOÎTE  
DE JONCTION*



- 1 Ensure main supply is switched off.
- 2 Aim the mounting bracket(2) to the conjunction box, adjust the hole and mark the point on the wall.
- 3 Stick the nut(1) into the mark on wall and fit the mounting bracket onto conjunction box with machine screw(4), meanwhile double fix mounting bracket with self-tapping screw(5) to avoid gap.
- 4 Connect wires(6) according to color (White to White, Black to Black). Connect all earth plug together onto the crossbar with green screw to tight.
- 5 Fit the fixture(7) onto mounting bracket with screw(3). Please pay more attention to that the LED should be upward.
- 6 Reconnect power.