

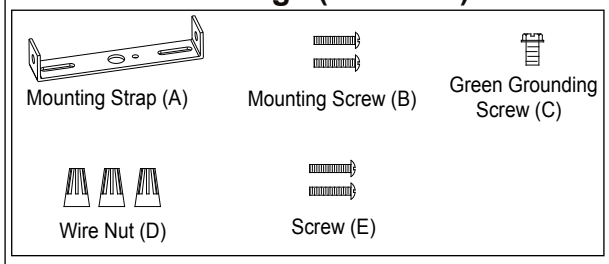
ASSEMBLY AND INSTALLATION INSTRUCTIONS

T0264

WARNING: TO AVOID RISK OF ELECTRICAL SHOCK, BE SURE TO SHUT OFF POWER BEFORE INSTALLING OR SERVICING THIS FIXTURE.

NOTES: 1. Before installing, consult local electrical codes for wiring and grounding requirements.
2. READ AND SAVE THESE INSTRUCTIONS.

Hardware Package (included):

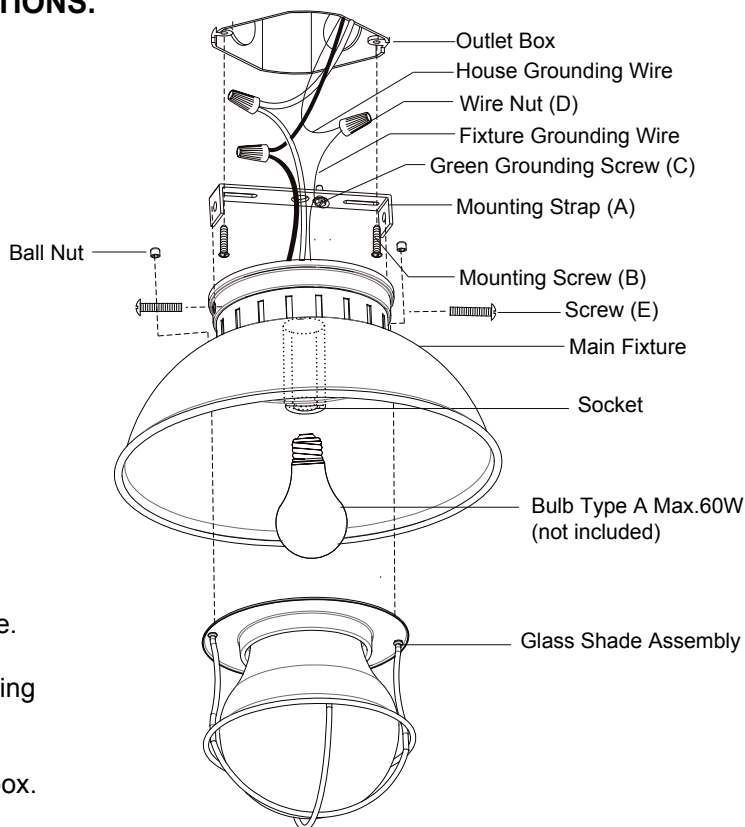


Installation Steps

Turn off the power at fuse or circuit box

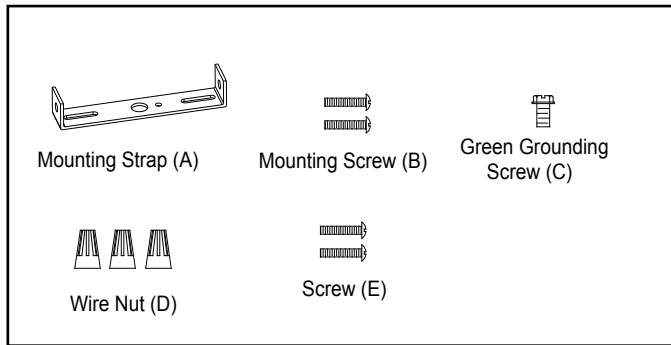
1. Attach the mounting strap to the outlet box using two mounting screws.
2. Install a bulb (not included). Check relamping label at socket area or packaging for maximum allowed wattage.
3. Attach the glass shade assembly to main fixture by using two ball nuts .
4. Pull out the wires and grounding wire from the outlet box. Make wire connections using the wire nuts as follow:
 - Connect the hot wire (usually black insulation) from the fixture to the black wire from the power source.
 - Connect the neutral wire (usually white insulation) from the fixture to the white wire from the power source.
 - Attach the fixture grounding wire (usually green insulation or bare wire) to the mounting strap with the green grounding screw, and then connect it to the house grounding wire with the wire nut.Carefully put the wires back into the outlet box.
5. Attach main fixture to the mounting strap by using two screws.

Turn on the power at fuse or circuit box

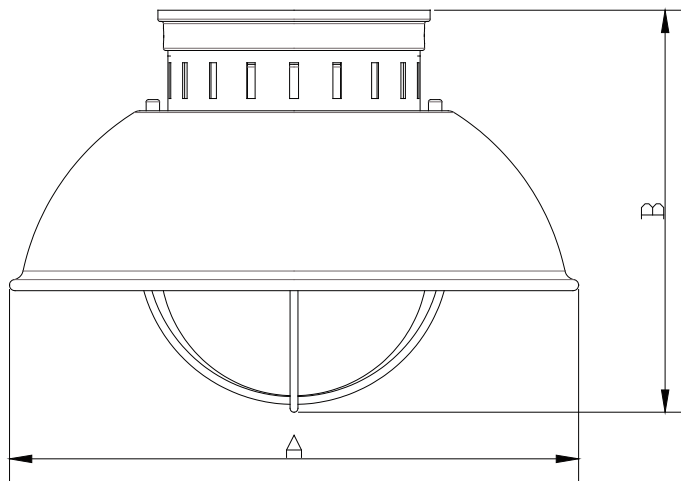


The following parts are available for re-order if damaged or missing.

Spare Parts List:



→ Assembly Kit
5565MM (1 SET)



A: 10"
B: 7-3/4"